



MAXIMA®



ONLY FOR REAL PROFESSIONALS

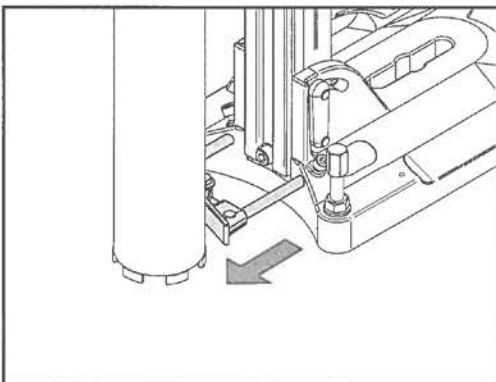
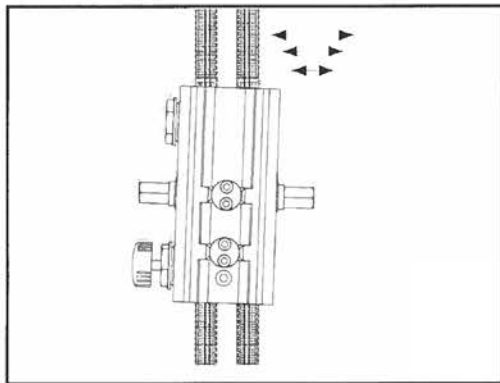
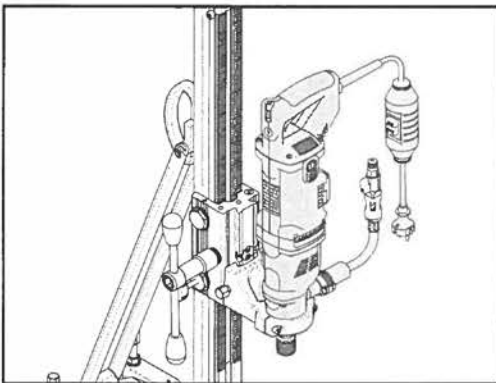
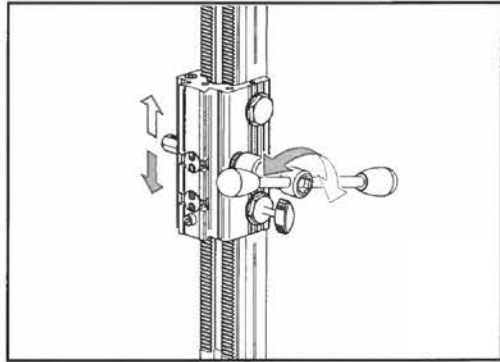
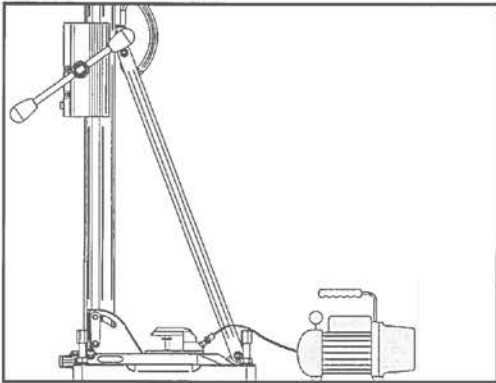
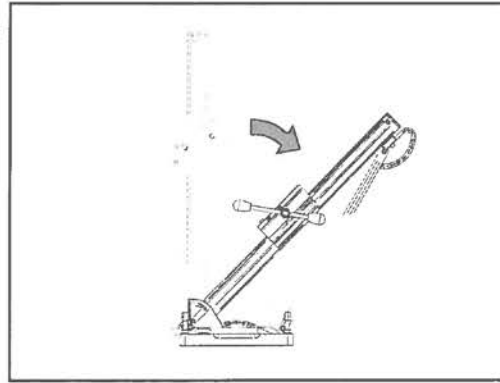
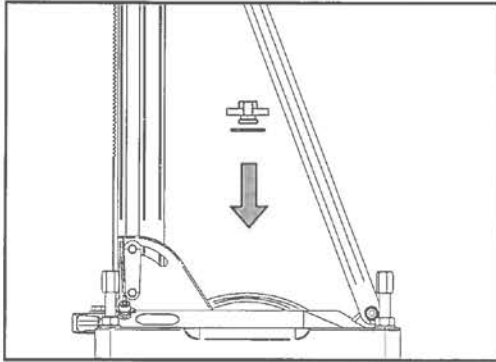


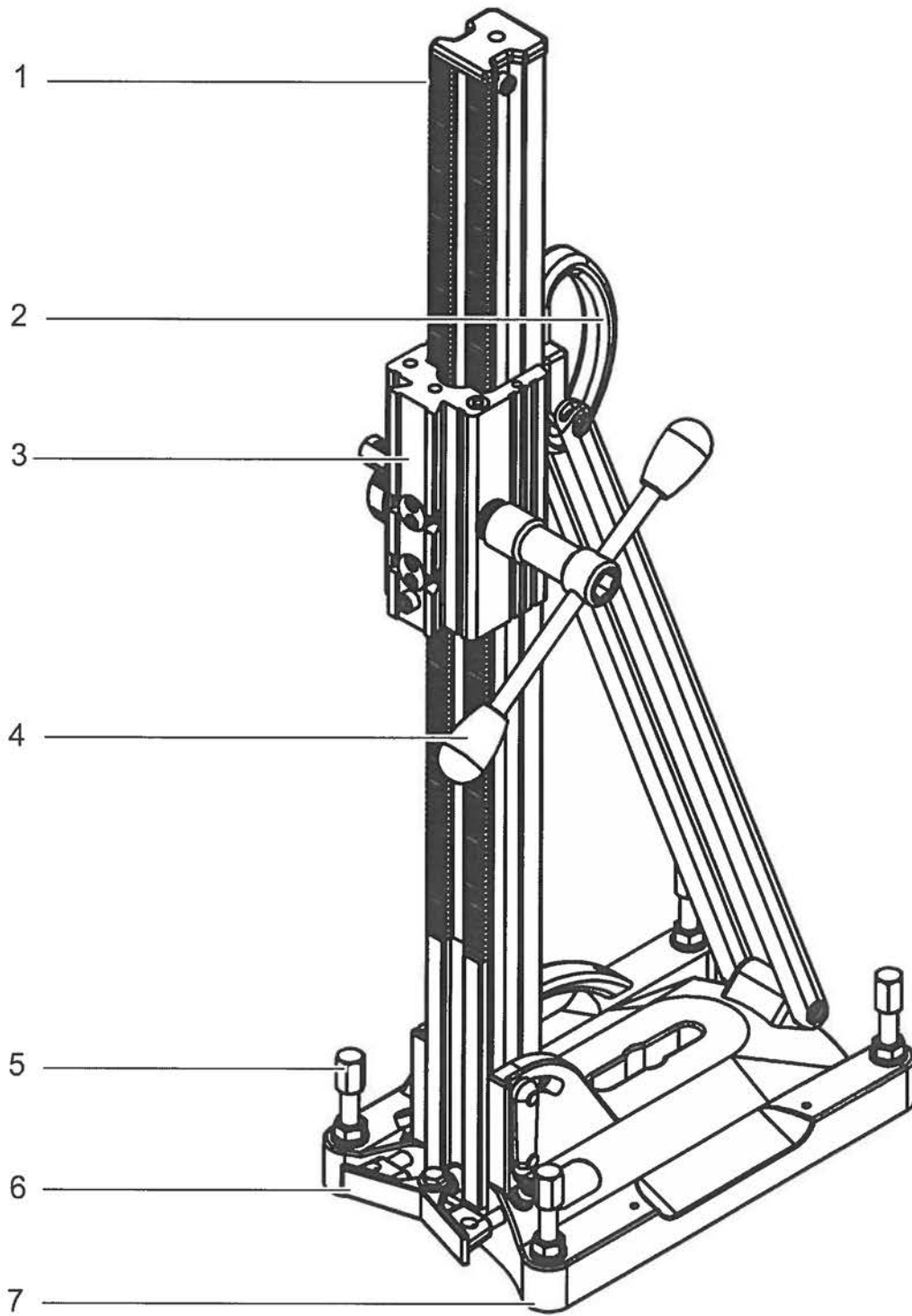
Column 200 - Operating Instructions

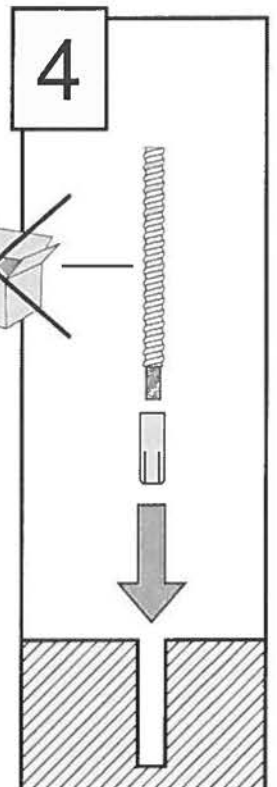
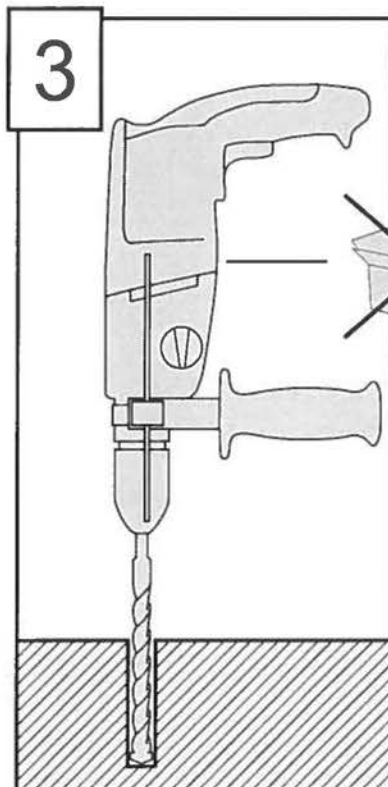
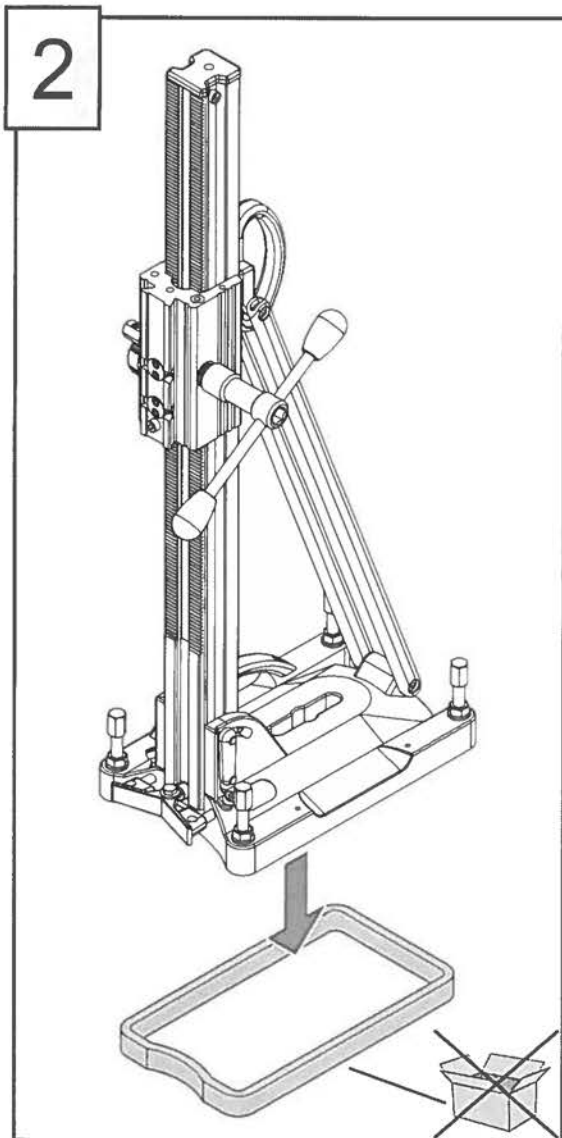
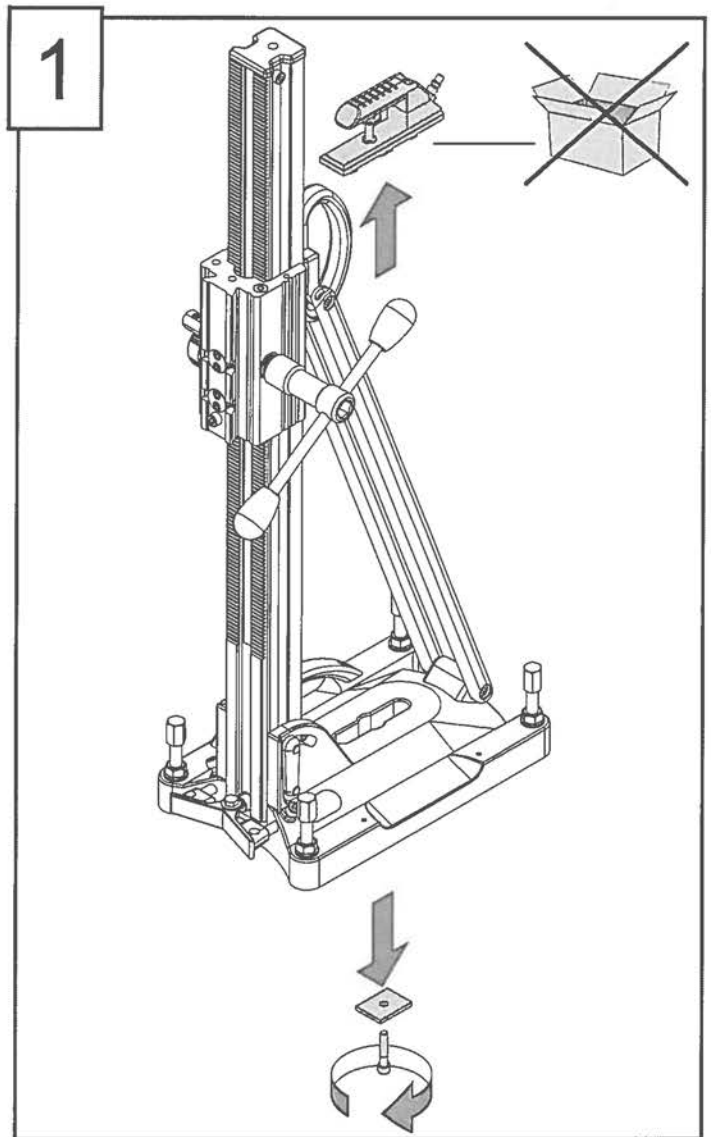
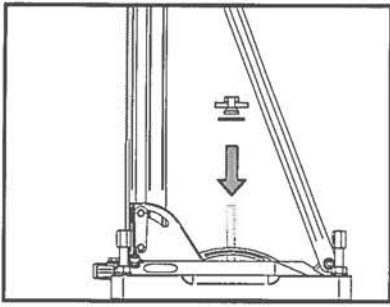
SERIAL NUMBER M

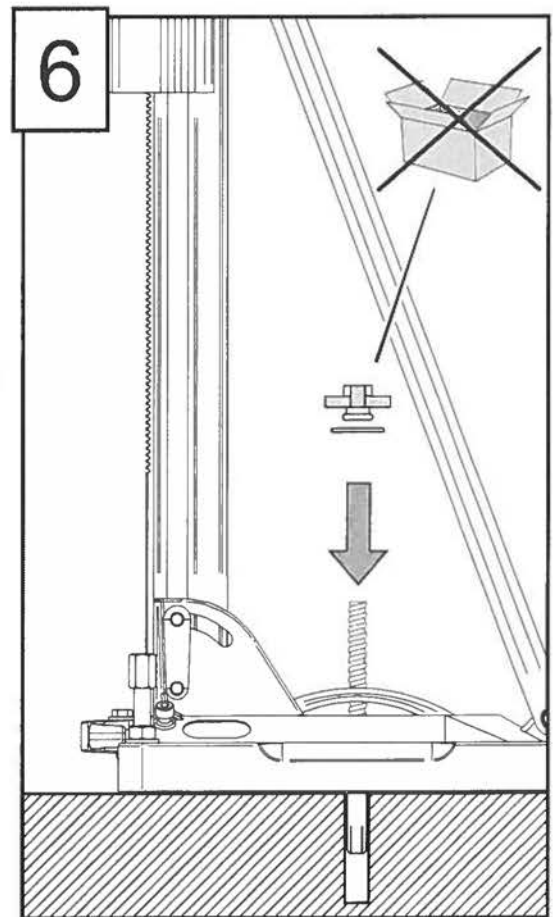
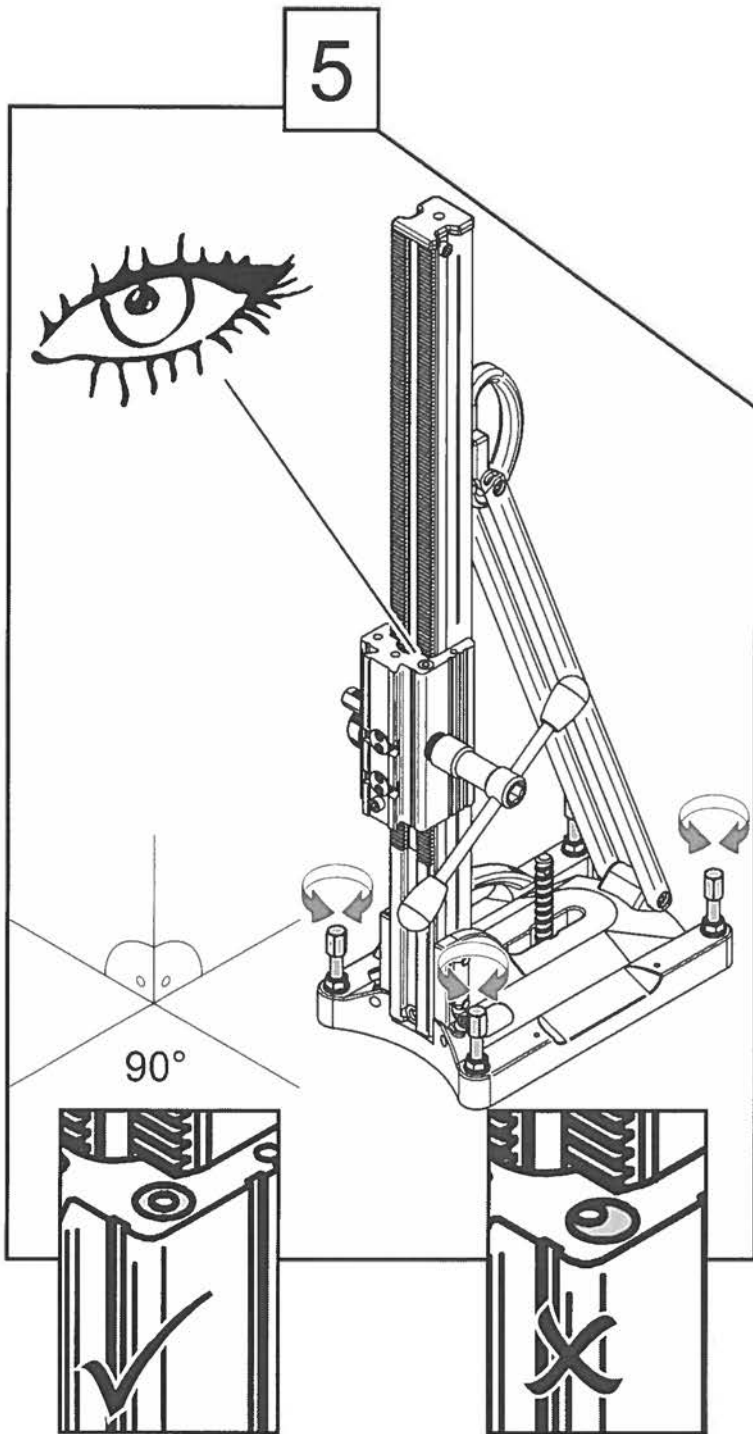
OPERATING INSTRUCTIONS

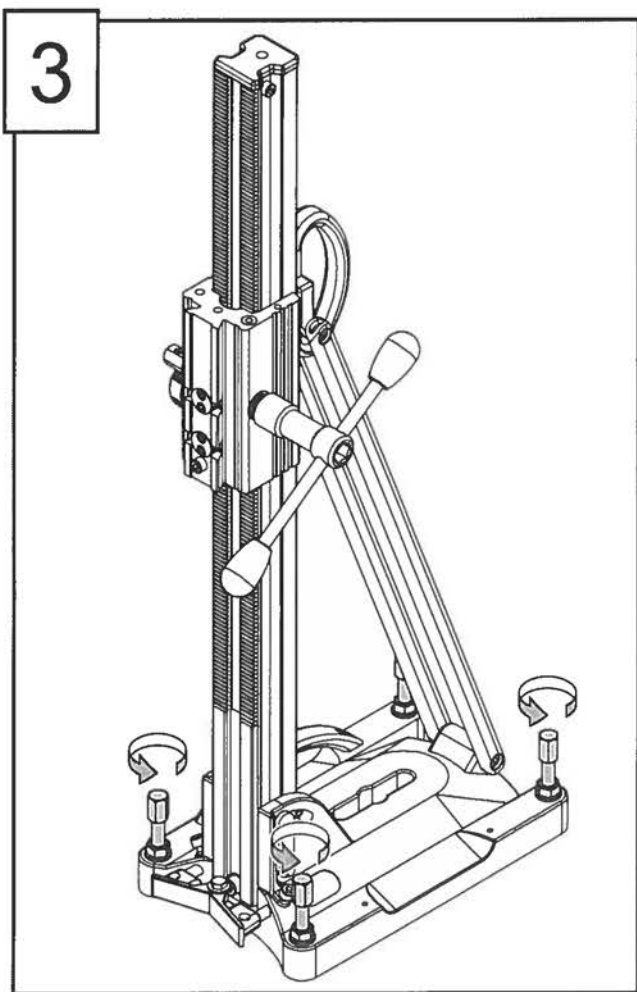
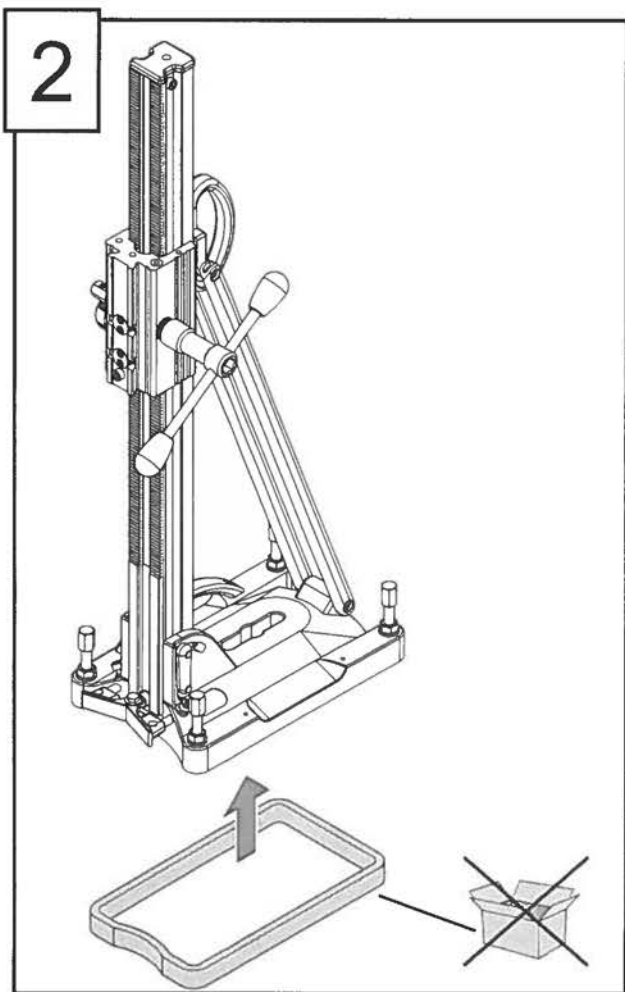
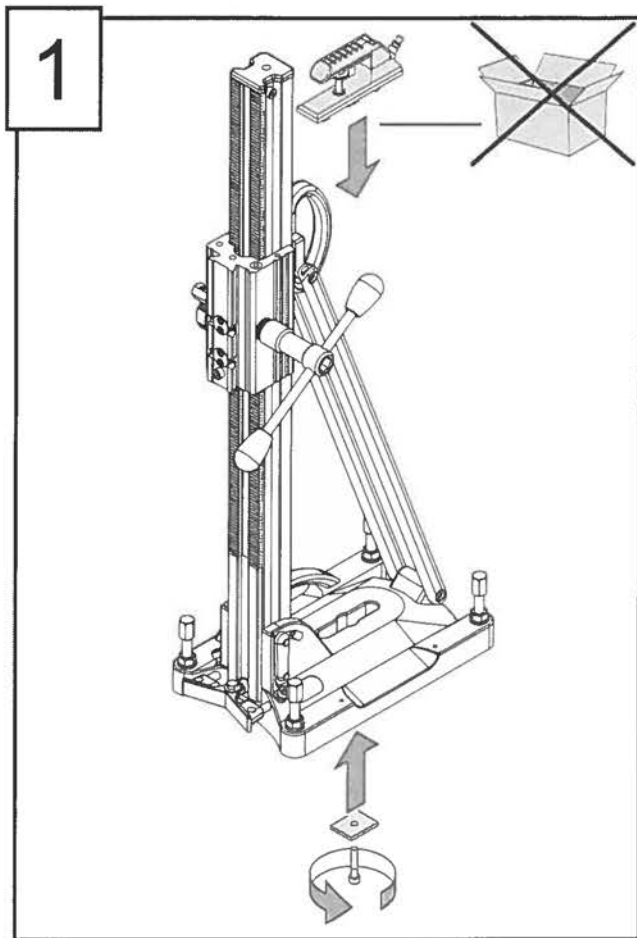
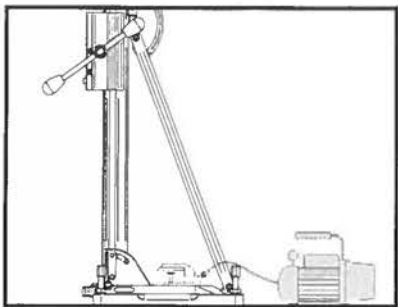
Column 200

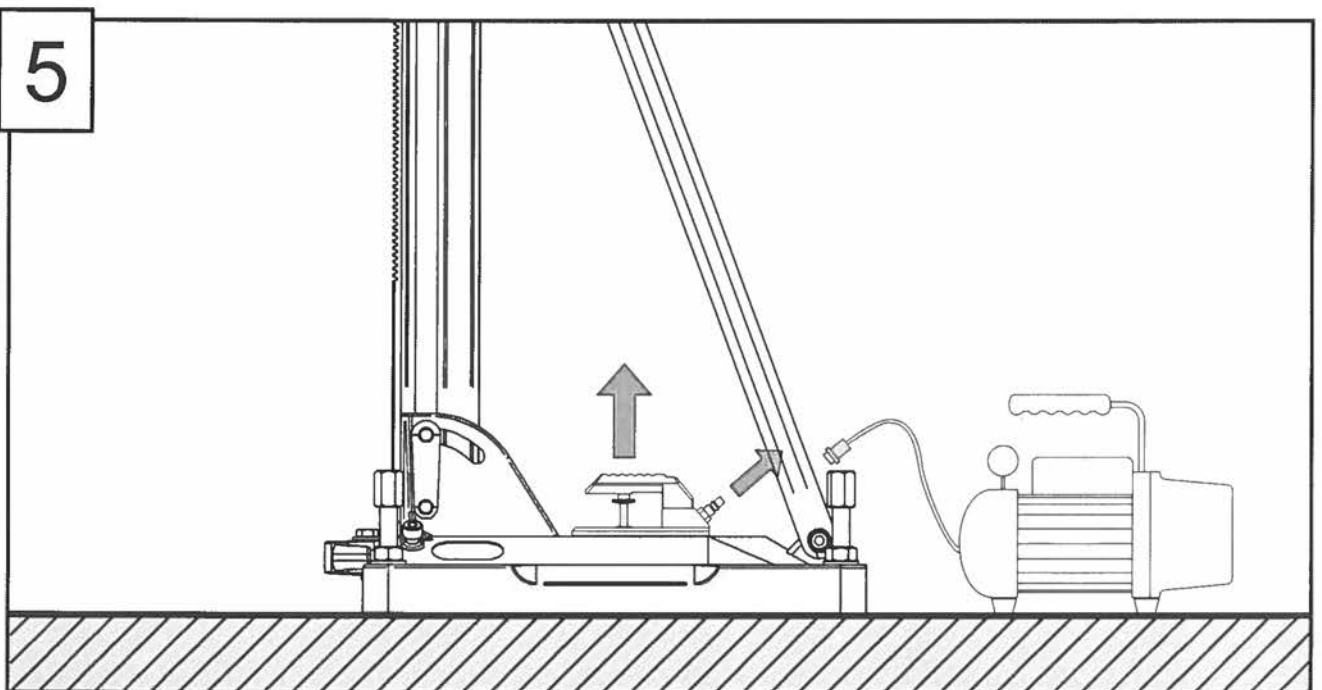
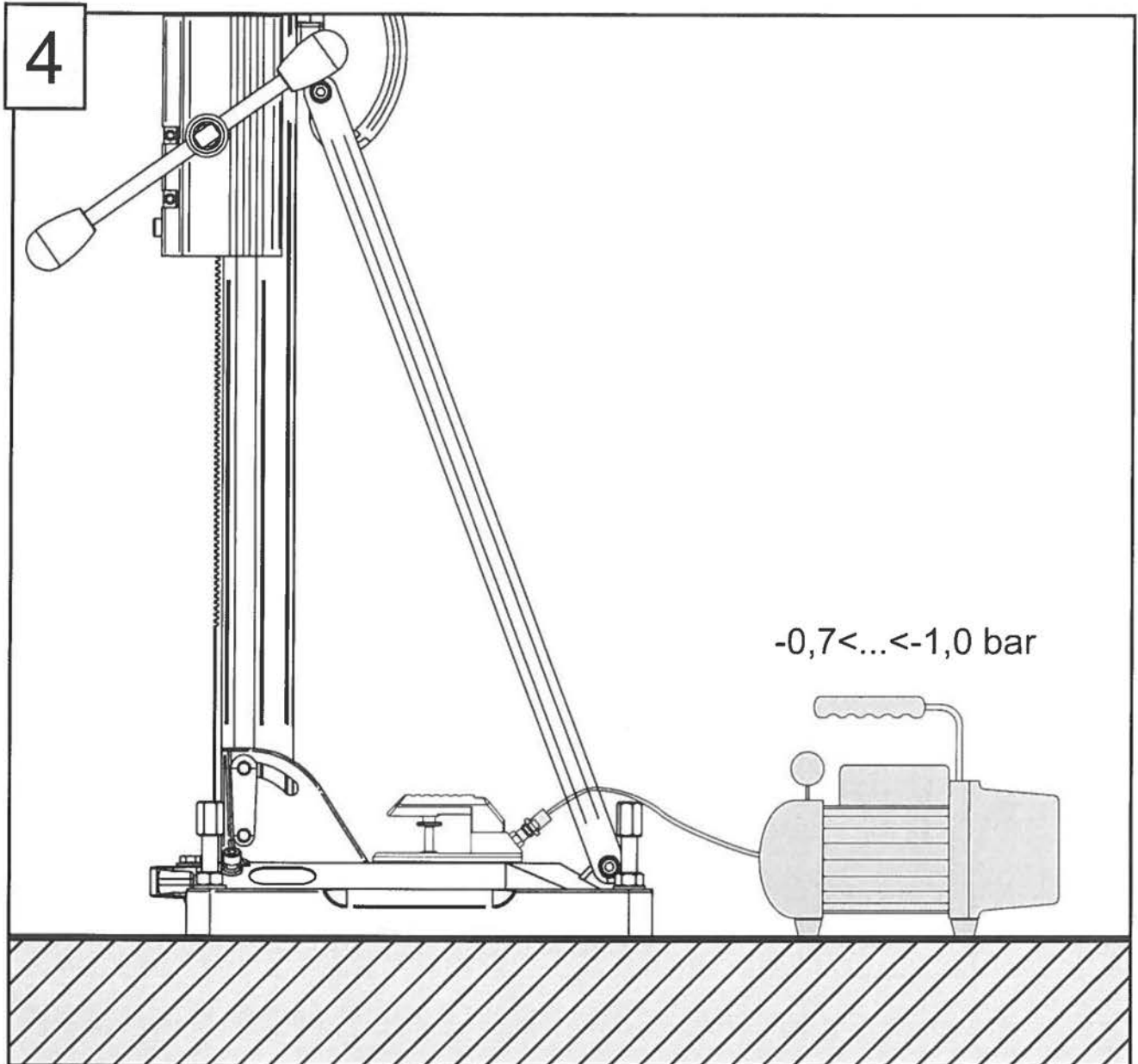


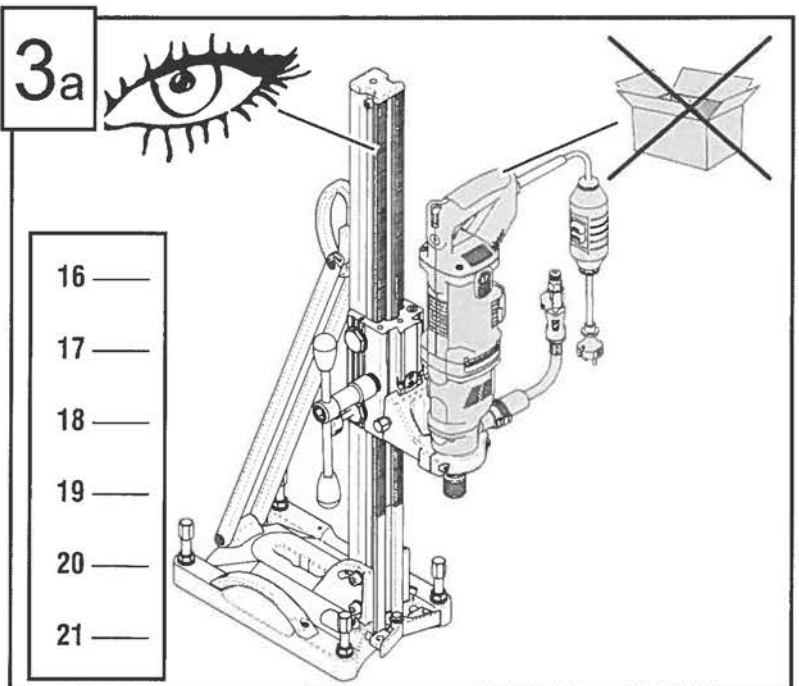
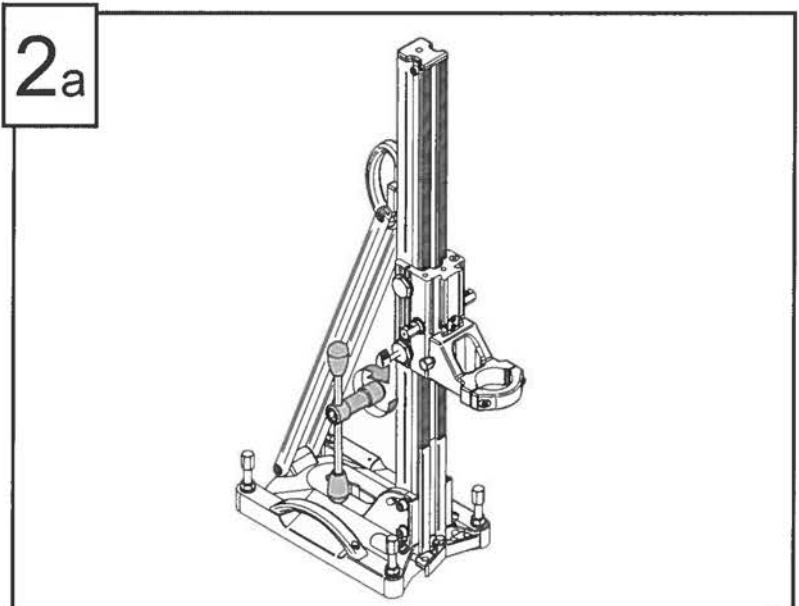
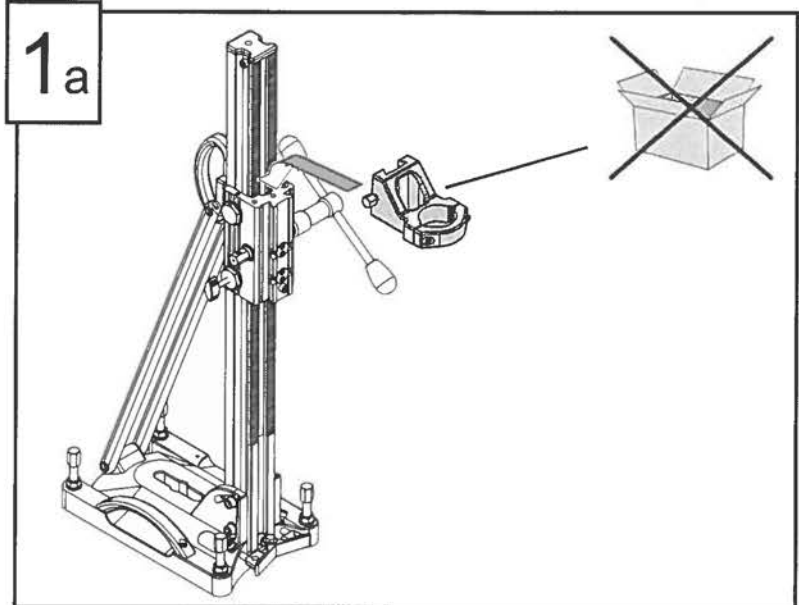
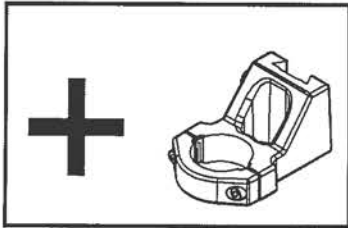
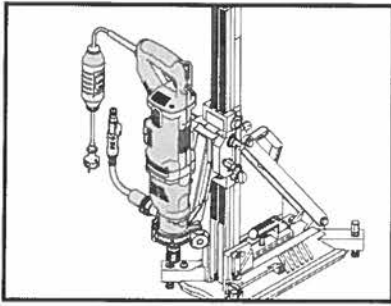


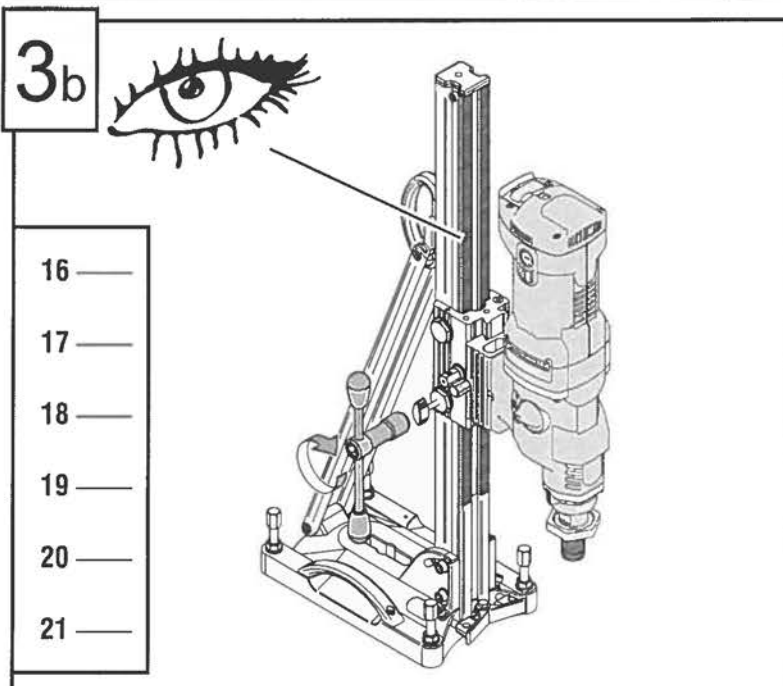
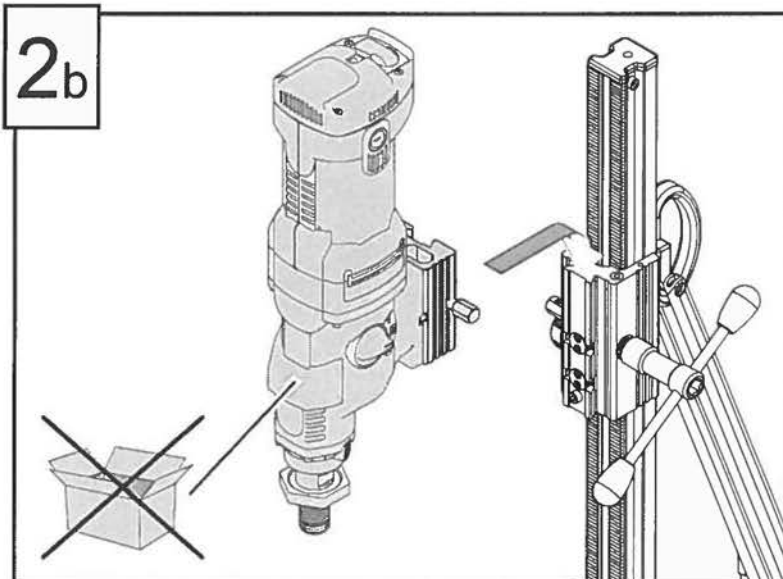
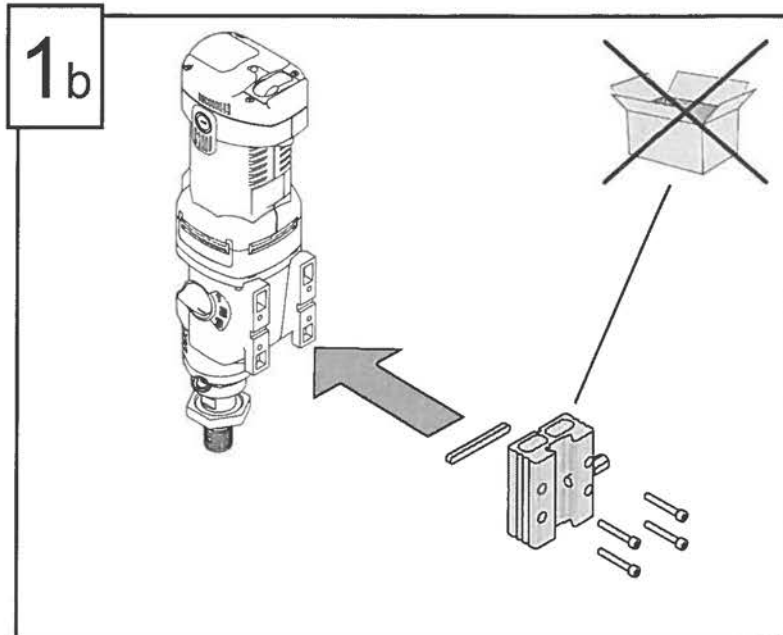
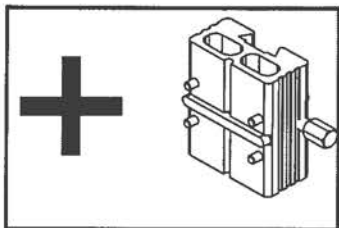


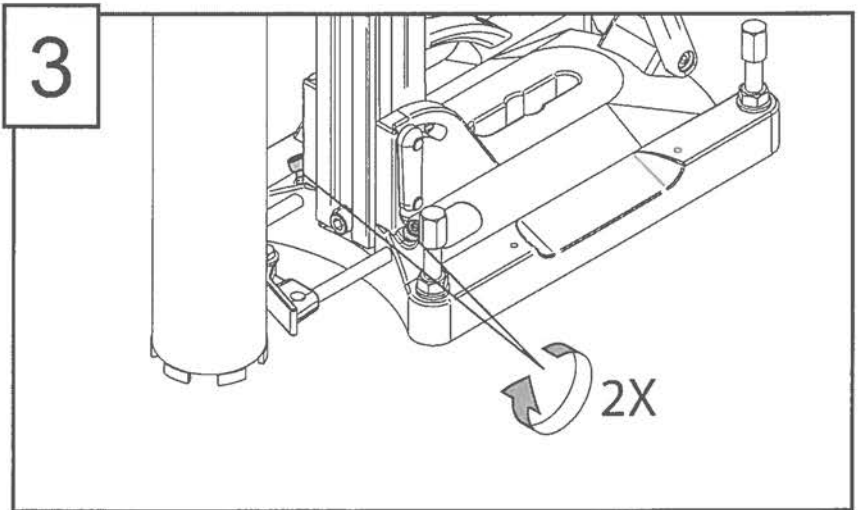
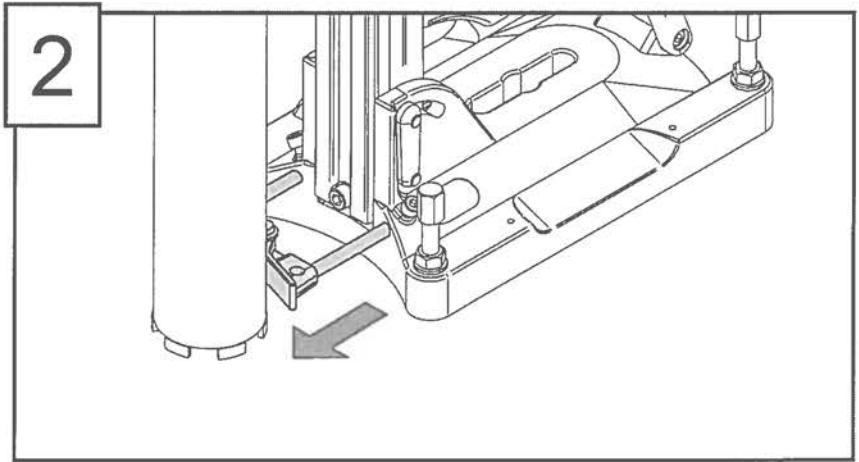
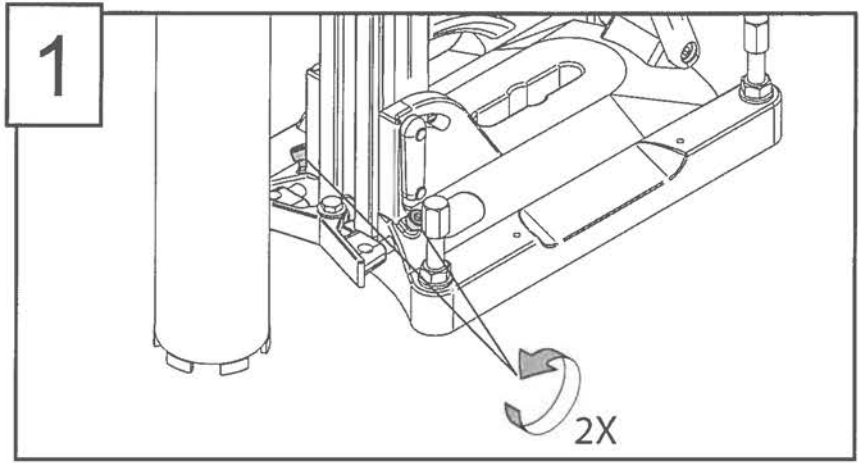
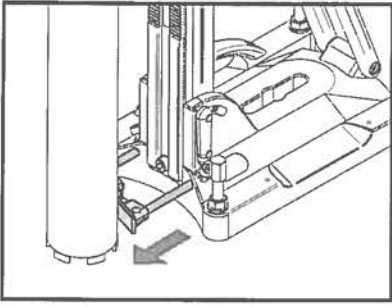


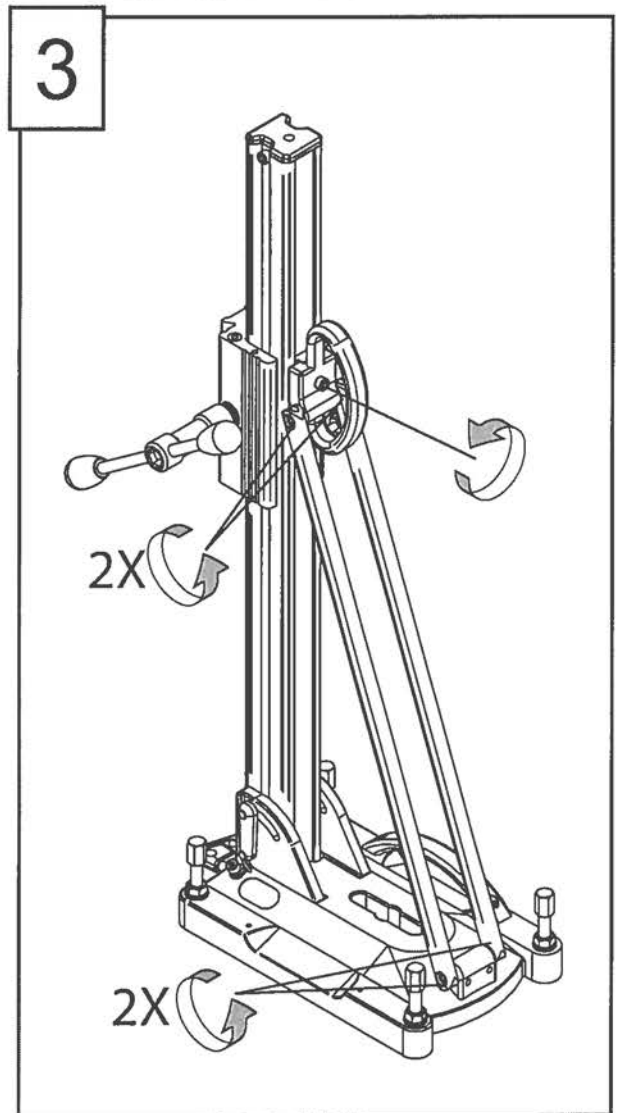
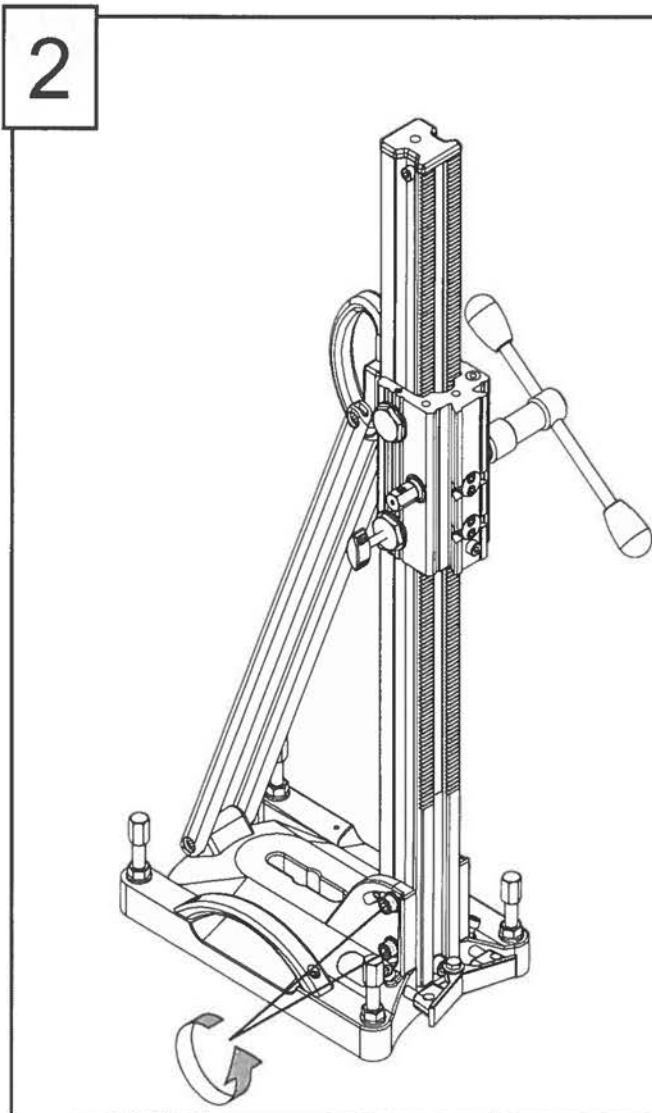
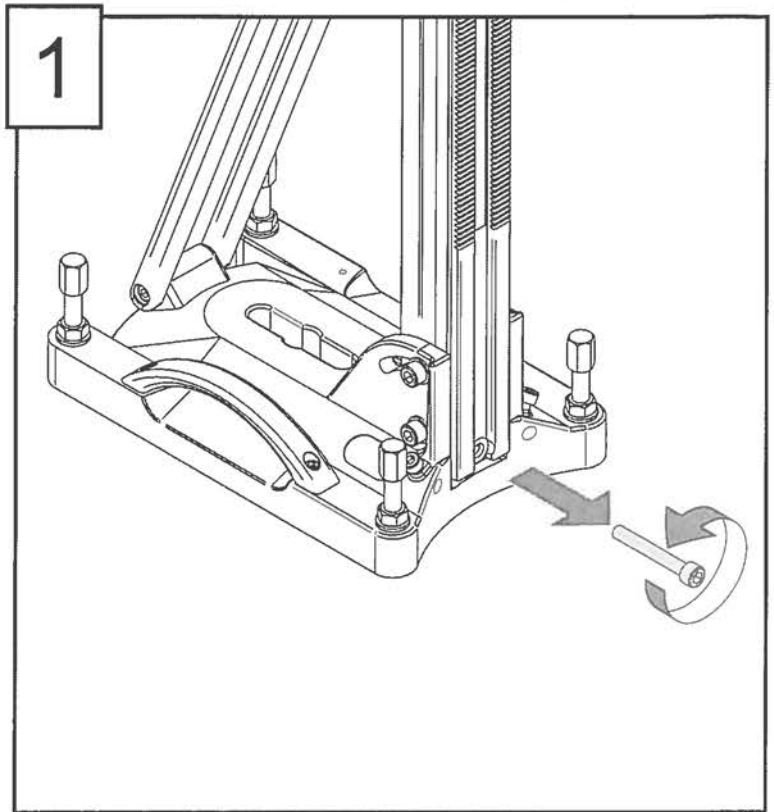
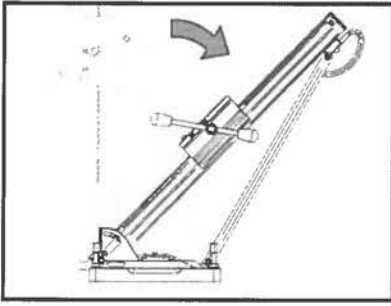




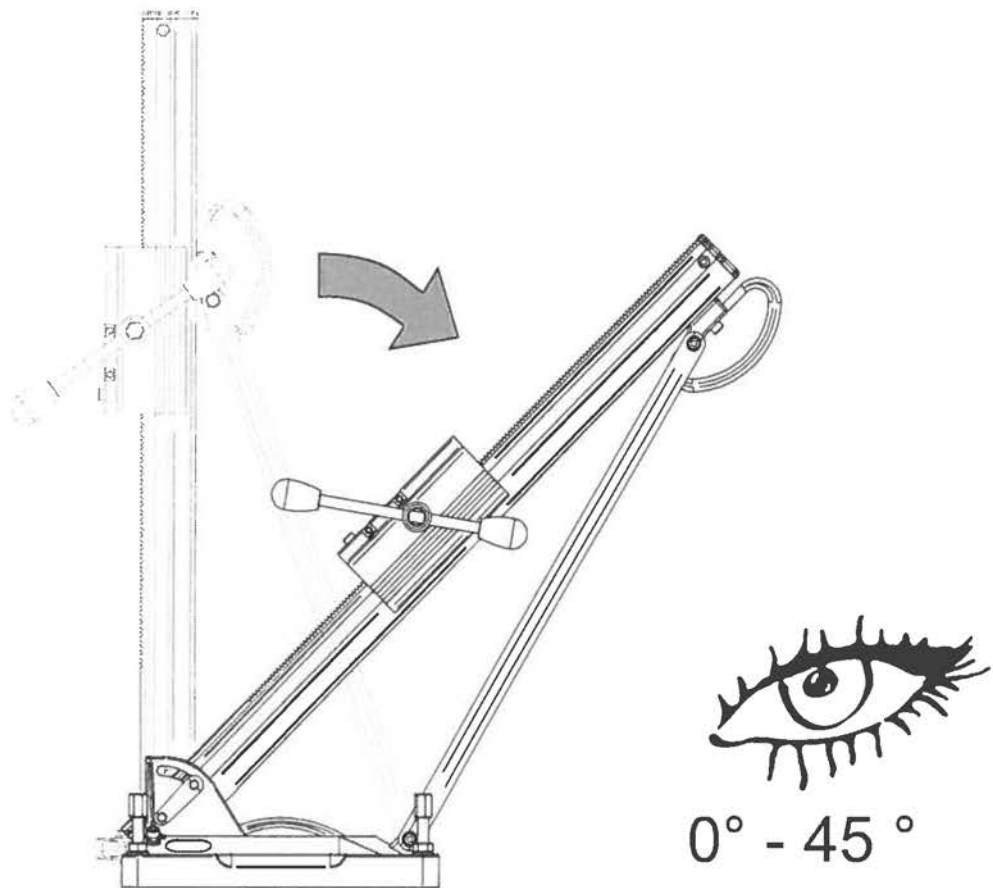




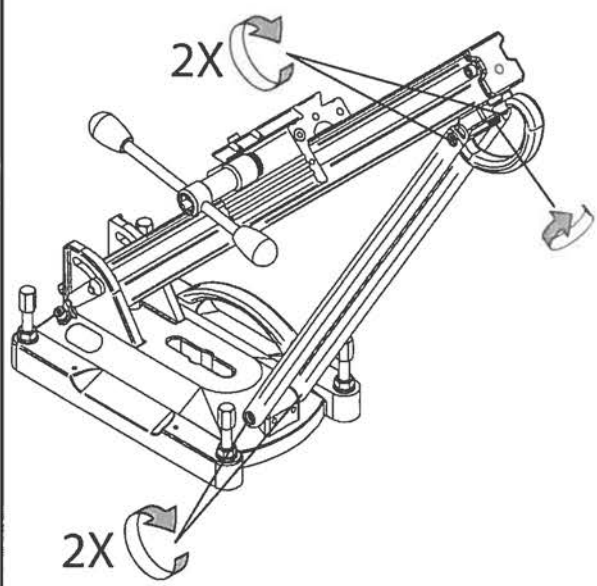




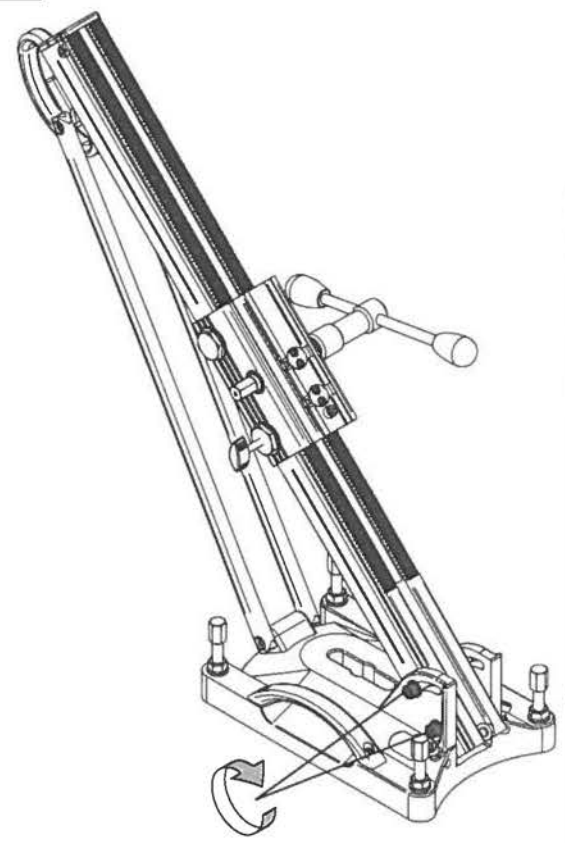
4

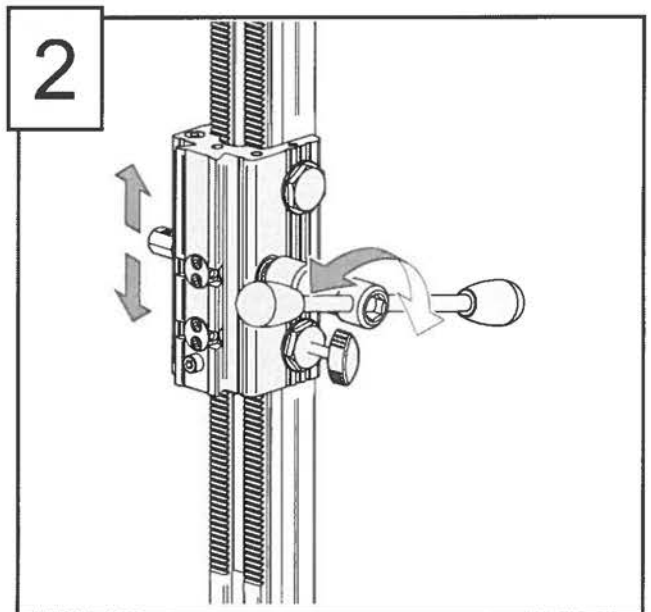
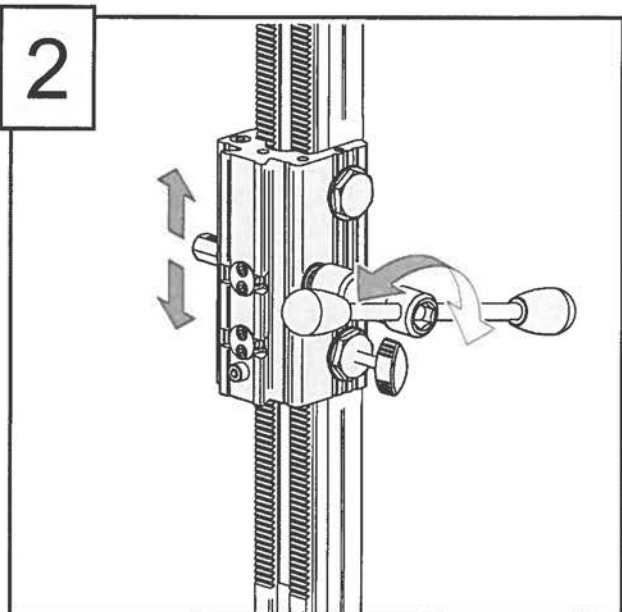
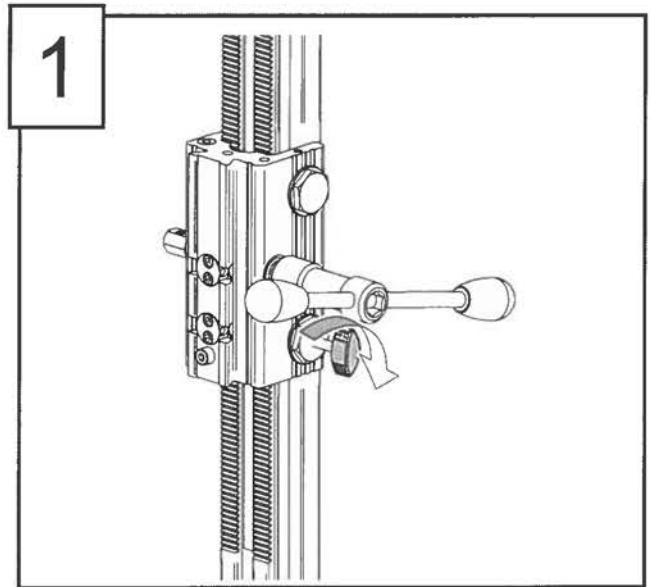
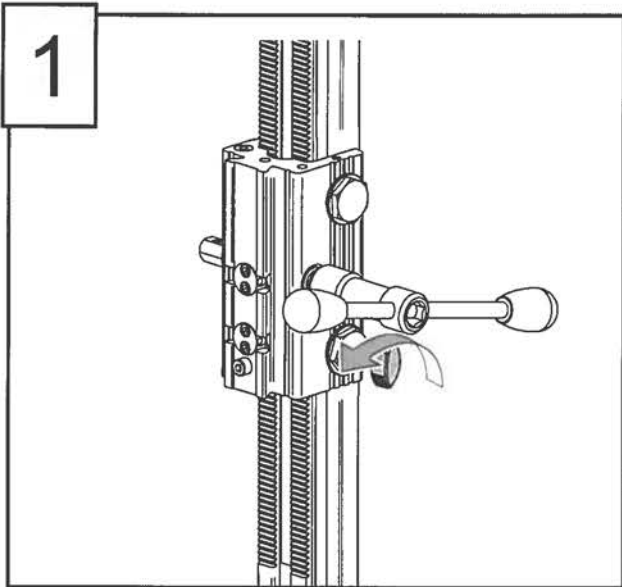
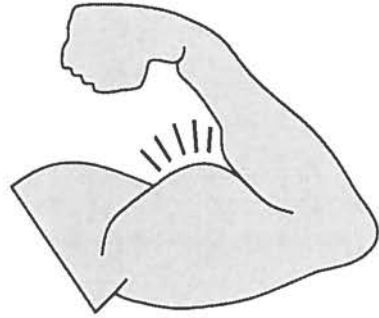
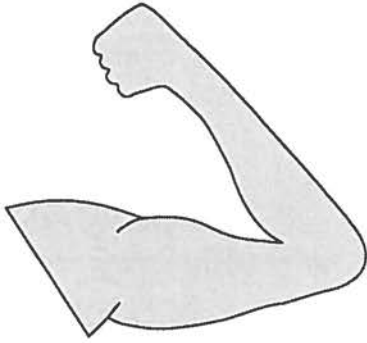
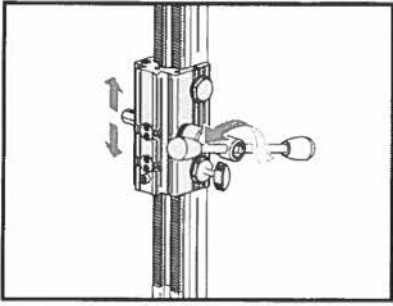


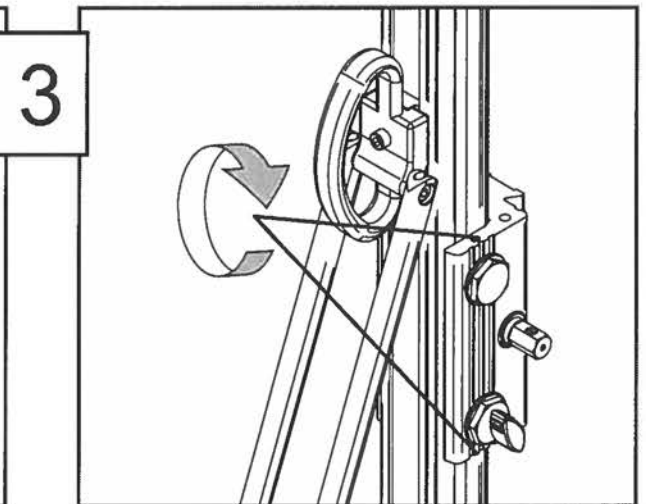
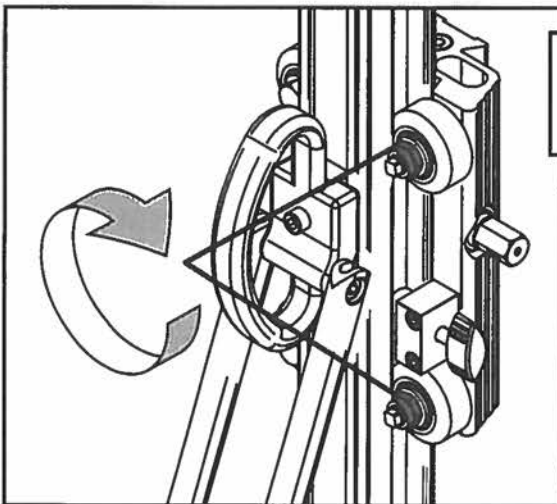
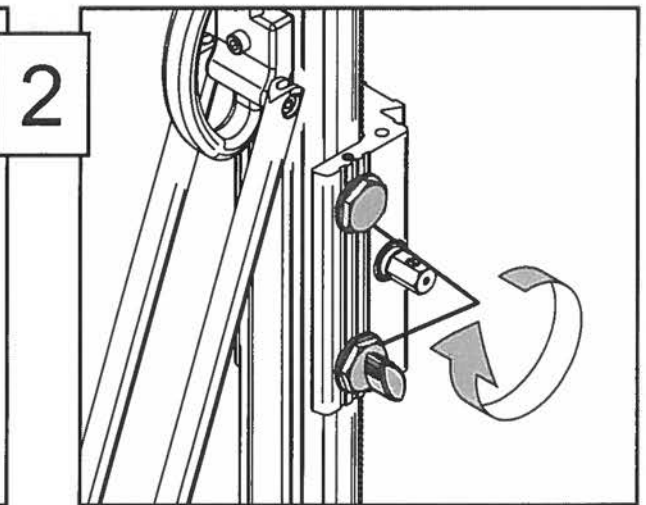
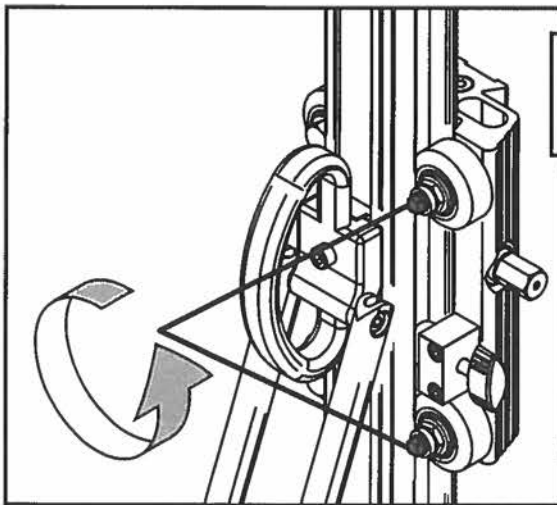
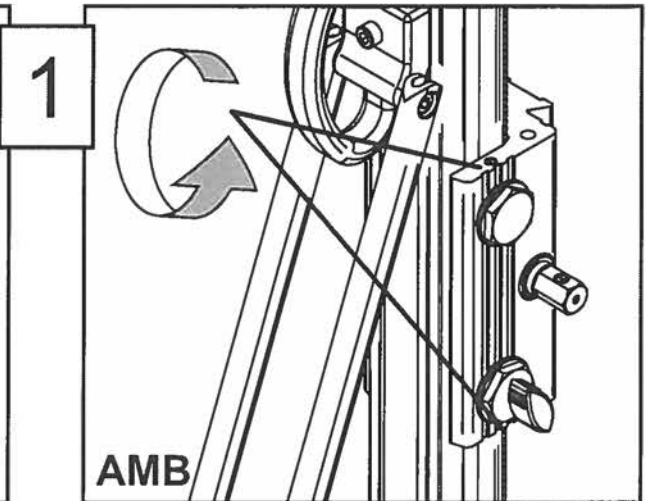
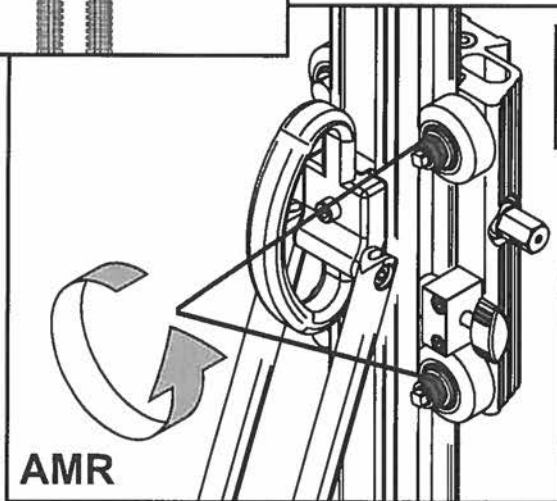
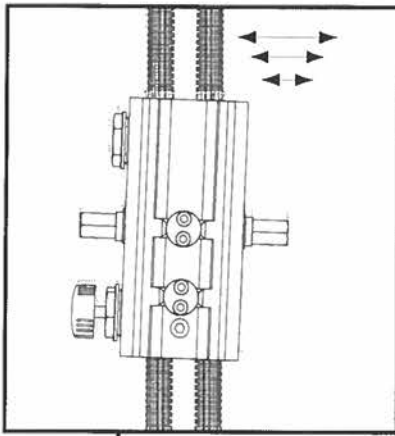
5



6







SAFETY INSTRUCTIONS



Read all safety warnings and instructions that were provided with the drill stand or the drill. Failure to follow the safety warnings and the instructions may result in electric shock, fire and/or serious injury.

Save all safety warnings and instructions for future reference.

- Prevent dripping, leaking or unintentional uncoupling of water hoses. Pay attention to the cooling water during drilling overhead. Remove cooling water in a safe way, for instance with a vacuum-cleaner. Keep electric cables, plugs etc. dry.
- Watch what you are doing. Use common sense. Do not operate machinery when you are tired or not concentrated. Make sure that you can always stop the motor (emergency stop). Do not use the machinery of which the ON/OFF switch does not work properly.
- Do not wear loose clothing or jewellery. They can be caught in moving parts. When working in open air rubber gloves and non-skid footwear are recommended. Wear protective hair covering to contain long hair.
- Wear a helmet against falling parts, gloves for protection against sharp items and a safety goggle for protection against sparks/small concrete particles. Use a dust mask covering mouth and nose if necessary. Ear protectors are recommended for sound levels over 80 dB(A). For sound levels over 90 dB(A) ear protectors are compulsory.
- Disconnect the plug from the power source before making any adjustments or changing accessories. Starting drills accidentally is the cause of some accidents.
- Do not overload the drill rig and do not use it as a ladder or scaffold. Overloading or standing on the drill rig can raise the drill rig's centre of gravity and cause it to tip over.
- Keep machinery tools sharp and clean for better and safer performance. Follow maintenance instructions. Keep handles dry and free from oil and grease.
- Check for alignment and binding of moving parts. Breakage of parts and any other conditions that may affect the normal use of the machinery. A guard or parts that are damaged should be properly repaired or replaced by an authorised service centre.
- The use of accessory and attachment other than recommended in this manual or the catalogue may present a risk of physical injury.
- Have your drill stand serviced/repaired only by a qualified repair person using original replacement parts. This will ensure that the safety of the device is maintained.
- Cluttered areas invite injuries. Do not let uninvited persons or animals contact machinery or enter the work area. Make provisions to catch loose concrete parts/cooling water when drilling in storey floors or roofs. When not in use, machinery must be stored in a dry, locked-up place, out of the reach of children.
- Keep work area clean. Pay attention to all cables

(underground!), pipes and steel reinforcement in the work area. Do not use electric power tools in the presence of inflammable liquids/gases or in humid (rain) conditions.

- Mount accessories and tools in the right way to prevent them from coming loose. Check if all keys and adjusting wrenches are removed from the machinery before turning it on. Keep proper footing and balance at all times.



WARNING! Under no circumstances may the design of the machine be modified without the permission of the manufacturer. Always use genuine accessories. Non-authorized modifications and/or accessories can result in serious personal injury or the death of the operator or others.

MAIN COMPONENTS

The numbering of the illustrated product features refers to the representation of the core stand.

1. Column
2. Lever
3. Handle
4. Carriage
5. Levelling screw
6. Drill centering
7. Base

SPECIFIED CONDITIONS OF USE

The Xpert coring is one out of a series of lightweight machines meant for coring with diamond core bits.

The machine can be used for coring in concrete, asphalt en stone-like materials. The function of the coring is to position and guide the core motor during the coring process.



WARNING! If the vacuum plate is used, make sure the support surface is not porous and can loosen from the floor or the wall. Make sure that the vacuum pump has sufficient power to secure the vacuum plate. The vacuum plate must never be used for ceiling drilling. Careless or incorrect use can result in serious, even fatal injury.

Do not use this product in any other way as stated for normal use.

DECLARATION OF CONFORMITY

We declare under our sole responsibility that this product is in conformity with the following standards or standardized documents:

EN 12348; EN 982
2006/42/EC ; 97/23/EC



Presidente
p.i. Mirco Dall'Olio

30/11/2011

MAINTENANCE



Generally it can be put that regular maintenance (checking, cleaning, oiling) has a positive effect on the safety for the operator and the lifetime of the machinery.

The machinery needs very little maintenance. The recommended maintenance and intervals are mentioned in the table below.

Frequency	Activity	Remarks
After every sawjob	Cleaning the: <ul style="list-style-type: none"> • guidance • fast exchange system 	with water + grease with teflonspray with water
Weekly	General check for: <ul style="list-style-type: none"> • damage Check the sliding blocks/wheels for: <ul style="list-style-type: none"> • adjustment • wear 	adjust if necessary replace if necessary
Monthly	Grease: <ul style="list-style-type: none"> • toothrack • adjustment bolt 	
Annually	Major service	To be done by Adamas or an authorised Adamas agent

WARRANTY

For this product is a warranty period of 12 months applicable from the date of delivery. Guarantee claims has to be proved by showing the purchase invoice. Guarantee claims have to be proved by showing the purchase invoice. The guarantee includes the repair of defects which have occurred and can be linked by to material or manufacturing faults. Transport costs for the equipment from and to the client are to be paid by the client. Travel- and housing costs for repair personnel on site are to be paid by the client.

Not covered by guarantee:

- Defects or damages which have arisen due to incorrect use or connection.
- Machine overload.
- When maintenance has been carried out incorrectly or badly.
- Information in the manual has not been properly followed.
- The machine is used by unqualified persons.
- If the machine is used for purposes for which it is uns-

uitable.

- The machine is repaired using unoriginal parts.
- If the machine encryption is damaged or deleted.
- If defects are caused by fire, damp and/or transport.

DISPOSAL



Separate collection. This product must not be disposed of with normal household waste. The drill stand, accessories and packaging should be sorted for environmental-friendly recycling.

SYMBOLS

	Do not dispose of together with household waste material!
	This product is in accordance with applicable EC directives.
	Visual check.
	Always disconnect the plug from the socket before carrying out any work on the machine.
	Please read the instructions carefully before starting the machine.
	WARNING
	Accessory - Not included in standard equipment, available as an accessory.



Maxima SpA- Via Matteotti, 6 - 42028 Poviglio (Re) Italia
Tel: 0039 0522 968011 - Fax: 0039 0522 967536
info@maxima-dia.com - www.maxima-dia.com